

Fast40

Gate-leaves up to 2.3 m

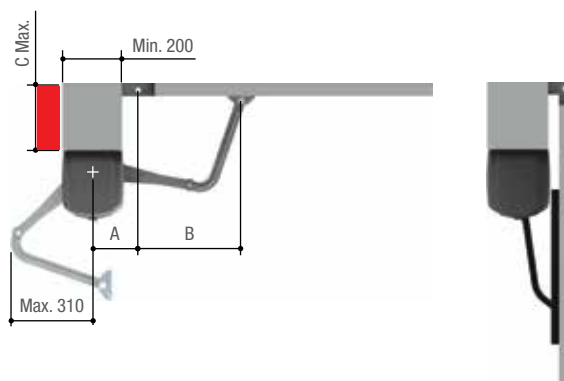
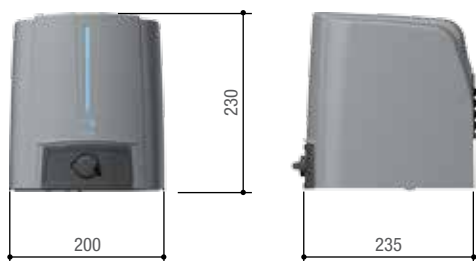


The ideal solution for fitting on medium and large gate posts in residential or apartment block settings

- Handy release lever for manually opening the gate.
- All models are fitted with simplified connections, featuring one single three-conductor cable.
- The 24 V versions can also operate during power outages.
- Compatible with the Zero-E solar panel to power the operator where there are no connections to the electricity line.
- The 24 Volt operator features the SLEEP MODE function as standard.



Dimensions (mm)



Dimensions of application (mm)

MODELS	FA40230CB • FA40230 • FA4024CB • FA4024		
GATE-LEAF OPENING (°)	A	B	C Max.
90	140	420	200
90	160 ÷ 180	380	200
110	200 ÷ 220	400	50

Limits to use

MODELS	FA40230CB • FA40230 • FA4024CB • FA4024			
Max leaf length (m)	2.3	2	1.5	1
Max leaf weight (kg)	200	215	250	300

Technical features

MODELS	FA40230CB • FA40230	FA4024CB • FA4024
Protection rating (IP)	54	54
Power supply (V - 50/60 Hz)	230 AC	230 AC
Motor power supply (V)	230 AC 50/60 Hz	24 DC
Current draw (A)	1.4	11 Max.
Power (W)	160	140
90° manoeuvre time (s)	18	ADJUSTABLE
Duty cycle (%)	30	INTENSIVE SERVICE
Torque (Nm)	180	180
Operating temperature (°C)	-20 ÷ +55	-20 ÷ +55
Motor thermo-protection (°C)	150	-

● 230 V AC ● 24 V DC

THE COMPLETE RANGE



Code	Description	Price £ (Excl. VAT)
Automation with 230 V AC gearmotor tested in compliance with EN 12453 - EN 12445 norms		
001 FA40230CB	Self-locking automation featuring control board with graphic segment display and articulated transmission arm for swing gates up to 2.3 m per leaf.	£571.00
230 V AC gearmotor tested in compliance with EN 12453 - EN 12445 norms		
001 FA40230	Self-locking gearmotor with articulated transmission arm for swing gates up to 2.3 m per leaf.	£353.00
Automation with 24 V DC gearmotor tested in compliance with EN 12453 - EN 12445 norms		
001 FA4024CB	Self-locking automation featuring control board with graphic segment display and articulated transmission arm for swing gates up to 2.3 m per leaf.	£640.00
24 V DC gearmotor tested in compliance with EN 12453 - EN 12445 norms		
001 FA4024	Self-locking gearmotor with articulated transmission arm for swing gates up to 2.3 m per leaf.	£395.00
Accessories for: 001FA40230 - 001FA4024		
001 FA001	Function signalling LED card.	£36.00
Accessories for: 001FA4024CB		
002 LBF40	Card for emergency functioning during blackouts and battery recharging. N. 2 12 V - 3.4 Ah batteries (not supplied).	£79.00
Accessories		
001 LOCK81	Electric lock with single cylinder.	£98.00
001 LOCK82	Electric lock with double cylinder.	£104.00
001 STYLO-BD	Straight transmission guide and slide guide.	£109.00
001 H3000	Casing with customised key, complete with toggle for the pull-cord release and command button. Cord length: 5 m.	£97.00
BAT2PK-3.4AH	Set of 2 x 12V -3.4 Ah batteries. For the 002LBF40	£52.00



ENERGY SAVINGS

The control board of the 24 V DC version features the SLEEP MODE function, which guarantees energy saving.



FA4024CB ADAPTS PERFECTLY TO THE ZERO-E SOLAR PANEL

Zero-E can be integrated, by applying it to a wall or post, with the Fast40 swing gate operator, in the 24 V DC version. Thanks to the SLEEP MODE technology on the control board, Zero-E works even in locations that are off the municipal power grid.

Prices for complete FAST40 Kits (with control panels, activation and safety accessories included) can be found on page 36.